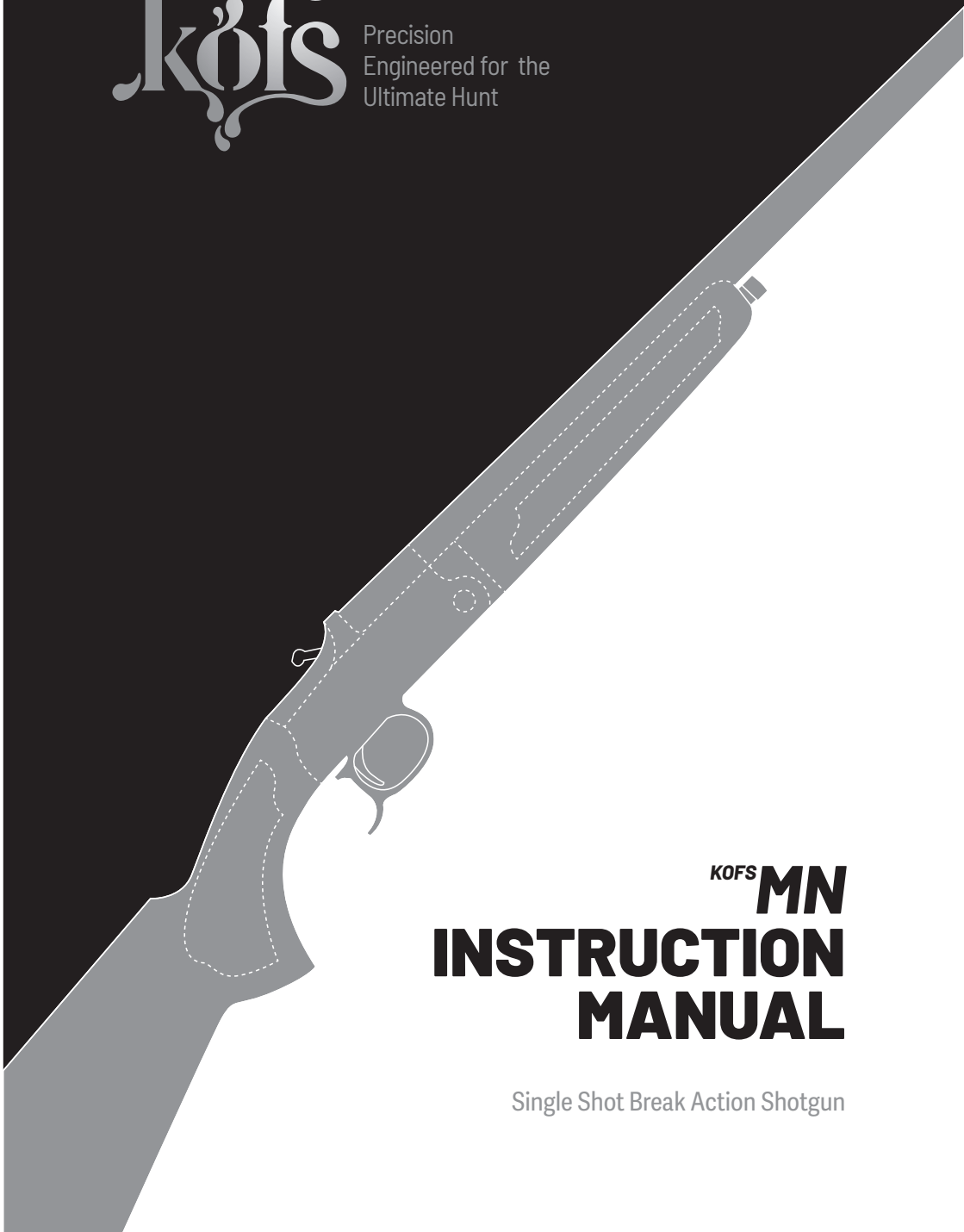




Precision
Engineered for the
Ultimate Hunt



KÖFS **MN**
INSTRUCTION
MANUAL

Single Shot Break Action Shotgun

GENERAL WARNINGS

Keep this user manual on hand for future reference and ensure it is passed on with the shotgun if it is ever transferred to another person. If the manual is lost or damaged, contact your dealer immediately for a free replacement copy. After performing any cleaning, adjusting, disassembling, or attaching accessories to your shotgun, its proper operation must be checked before firing live ammunition. Firearms are complex mechanisms. Any modification, alteration, or improper assembly of parts may cause dangerous malfunctions, damage to the shotgun, or injury to the shooter and/or others. The shotgun owner assumes full responsibility for the correct reassembly and functioning of the shotgun after any parts have been disassembled or replaced. If you do not understand any material in this manual or have any questions, contact your dealer or an authorized gunsmith directly. Do not attempt to load or use any firearm without reading and completely understanding the information provided in its user manual. Before handling your shotgun, you must learn exactly how it operates and how it must be maintained. This includes; knowing its basic parts, how the manual safety and other safety features work, how to safely open and close the shotgun, and how to safely load and unload ammunition. Improper use and handling are dangerous and can lead to severe injury or death for you or those around you. All users of this shotgun must be fully familiar with the warnings and instructions contained in this manual. As a firearm owner, you must assume full-time responsibility for safe firearm handling and storage for your safety and the safety of those around you:

- Keep all firearms and ammunition safely out of the reach of children.
- Store your firearms and your ammunition completely separately.
- Never store a loaded firearm anywhere.
- Never leave a loaded firearm unattended.
- Never transport a loaded firearm in a car.

Unload your shotgun when you finish shooting and whenever you need to climb a tree, cross a fence, walk on a slippery surface, or transport it in a vehicle. Do not load your shotgun until you reach a safe place to shoot, and keep your finger completely off the trigger until you are locked onto the target and ready to shoot.

- Never shoot at water, rocks, or any hard surfaces. Pellets can easily ricochet off such surfaces and cause serious bodily injuries.
- Do not consume alcohol or drugs before or while operating any firearms.
- Do not touch the trigger while the safety button is being engaged or disengaged.
- Regardless of whether the shotgun is loaded or unloaded, always point the barrel in a strictly safe direction.
- Treat every firearm as if it were fully loaded at all times. When handing your shotgun to another person, make sure the action is open and the shotgun is completely unloaded. Always insist on this exact same procedure when receiving a shotgun from someone else.
- Learn the precise location and proper operation of all safety features on your shotgun.
- Wear eye and ear protection when shooting. The use of eye protection during all types of shooting is crucial for safeguarding your vision. Shooting without appropriate ear protection may cause permanent hearing damage.



WE ASSUME NO LIABILITY FOR ANY DAMAGE OR INJURY OCCURRING IN CONNECTION WITH OR ARISING FROM THE USE OF FAULTY, NON-STANDARD (NON-SAAMI OR C.I.P.), "REMANUFACTURED," OR HAND-LOADED (RELOADED) AMMUNITION. ADDITIONALLY, WE ASSUME NO LIABILITY FOR ANY DAMAGES OR INJURIES RESULTING FROM ANY MODIFICATIONS OR ALTERATIONS THAT ARE NOT PART OF THE FACTORY-DELIVERED SHOTGUN.

Learn to clean your shotgun thoroughly and ensure there is no oil, grease, or other materials obstructing the barrel. Any type of obstruction can damage the shotgun and cause severe injury to the shooter and/or other people nearby. Practice proper shotgun maintenance and safety. Make sure all exposed metal surfaces are coated with a thin layer of oil, especially after exposure to humid air. (Refer to the relevant section of this manual for cleaning instructions.) Do not plug the barrel or store the shotgun in a fabric-lined case that will absorb its oils. Before using the shotgun after storage, follow all instructions outlined in this manual to re-familiarize yourself with it. A comprehensive inspection must be conducted before heading into the field. Have your shotgun checked periodically by an authorized gunsmith.

CONTENTS

04 Mechanical Safety (Safety)

05 Assembly (Setup)

06 Disassembly (Takedown)

08 Choke Tubes

10 Cleaning and Lubrication

11 Service

11 Technical Specifications

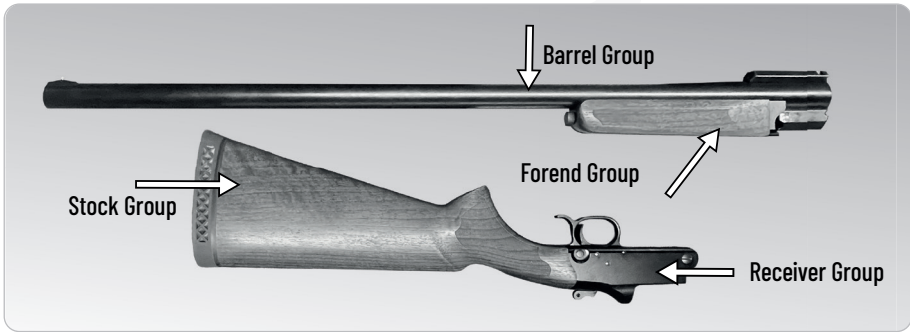
12 Parts List

14 Safety

OPERATING INSTRUCTIONS



Read the manual and safety warnings before using the shotgun.



ASSEMBLY (SETUP) AND DISASSEMBLY (TAKEDOWN) INSTRUCTIONS

Your KOFS MN Series shotgun is boxed from the factory with the barrel, forend, and receiver (stock group) separated (disassembled). Follow the steps below in sequence to safely prepare your shotgun for use or to disassemble it for safe storage.

MECHANICAL SAFETY

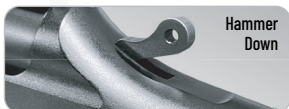
The safety selector/lever release mechanism is located on the back of the receiver. Prior to assembly, verify that the trigger block safety button located on the trigger guard is firmly placed in the "safety on" (safe) position. The red ring indicating the firing position must not be visible (*Figure 1*).

Ensuring the hammer is not cocked on the shotgun, make sure the hammer is firmly resting in the first stage position.

Remember, the manual safety on a firearm is merely a mechanical device that can never substitute for safe gun handling habits. Never rely solely on any mechanical mechanism or safety device to prevent the severe dangers of careless handling or pointing a firearm in an unsafe direction.



▼ *Figure 1. Safety On/Off*



Hammer
Down



First
Stage



Hammer
Cocked

A. ASSEMBLY (SETUP)



Before beginning the assembly process; ensure that the inside of the barrel, the chamber, and the receiver surface are completely clean, and free of excess oil or any obstructions (wrapping paper, plastic, etc.).

1.Preparation: Wipe off the factory protective oil on the unboxed parts using a clean and dry cloth. Clean the inside of the barrel with a cleaning rod to remove any remaining oil.

2.Preparing the Forend: When the shotgun comes out of the box, the forend is typically attached to the barrel. To start the assembly, you must first detach the forend completely from the barrel (*Figure 5*). Before assembly, turn the forend screw strictly in a clockwise direction to unscrew the forend and carefully separate it from the barrel.

3.Seating the Barrel on the Receiver:

- Firmly grip the receiver (stock group) using one hand.
- Carefully align the lug under the barrel directly with the hinge pin located accurately inside the main receiver body to ensure proper fitment. Holding the barrel securely against the receiver at approximately a 45-degree angle will significantly facilitate this seating process (*Figure 2*).
- Once the barrel lug sits on the pin, move the barrel upward (in the closing direction) and firmly seat it flush completely against the receiver.
- Ensure that the lever fully locks into place automatically.



▼ *Figure 2.*

4.Attaching the Forend:

- While the shotgun is fully in the closed position, carefully place the forend securely underneath the barrel housing (*Figure 3*).
- Position the rear metal portion (the precisely curved surface) of the forend so it solidly contacts the receiver assembly.



▼ *Figure 3.*

- Press the forend firmly against the barrel and turn the latch vigorously counter-clockwise until the forend locks securely into its place (Figure 4).
- Gently pull on the forend to verify it does not shift from its position



5.Final Check: Use the opening lever to open and close the shotgun several times. Ensure that the mechanism operates very smoothly and that the barrel seats perfectly tightly onto the receiver without any gaps.



▼ Figure 4.

B. DISASSEMBLY (TAKEDOWN)



When the shotgun must be disassembled for thorough cleaning, routine maintenance, or secure storage, strictly follow the steps below.

SAFETY WARNING: Before beginning any disassembly procedures, ensure the shotgun is COMPLETELY UNLOADED (no cartridge in the chamber) by conducting both a visual and physical inspection.

Removing the Forend:

- Point the barrel in a safe direction and ensure the shotgun is securely closed.
- Turn the forend latch clockwise until it is completely freed.
- Pull the forend downward to separate it from the barrel (Figure 5).
- Fully break open the barrel to disengage the lug from the hinge pin.
- Gently pull the barrel upward and backward to detach it from the receiver (Figure 6).



▼ Figure 5.



▼ Figure 6.



At any time during firing, if the sound of any shot is noticeably louder or softer than the previous shots, **STOP IMMEDIATELY!** Do not load any additional shells or attempt to fire until you have placed the safety/cocking lever entirely in the safe position. Safely unload your shotgun completely and inspect for any possible damage or obstructions within the chamber or inside the barrel bore. (The bore is the meticulously machined internal surface of the barrel). Firing a shotgun with a barrel obstruction can severely damage the shotgun and cause critical injury to the shooter and/or other people standing nearby.

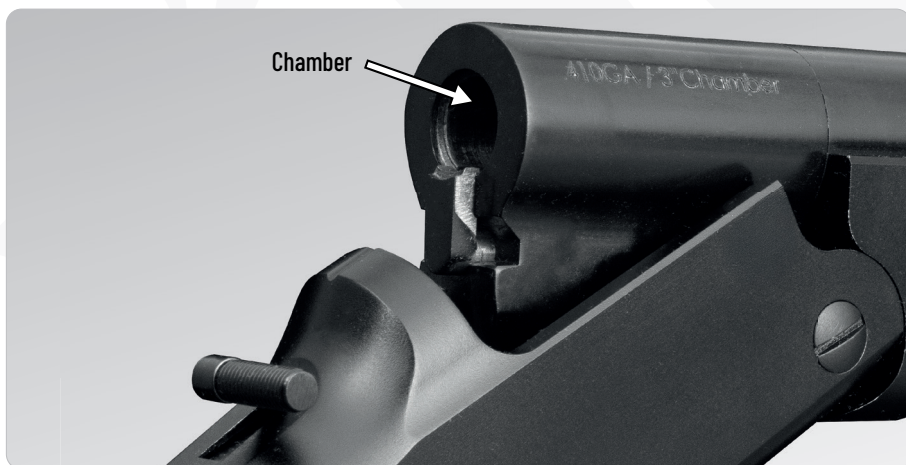
UNLOADING

Place the safety lever fully into the safe position. Open the shotgun. The extractor will automatically position any live or empty shells for straightforward manual removal. Conduct a visual and physical inspection of the chamber to guarantee the shotgun is completely unloaded.

FUNCTION TEST

After performing any procedures such as cleaning, disassembling, or assembling your shotgun, you must verify that it operates properly before loading it with live ammunition or firing it.

- Visually and physically inspect to ensure the shotgun is completely unloaded, and always point the shotgun in a strictly safe direction.
- Place the safety/cocking lever entirely in the safe position.
- Open and close the shotgun several times to confirm that the barrel assembly moves freely without any hindrance.
- Close the shotgun completely and leave the safety fully in the safe position.
- Pull the trigger fully backward. The hammer must not fall (NO FIRING).



CHOKE TUBES



Choke tubes this shotgun model is shipped from the factory with 5 different choke tubes.

CHOKE TUBES AND CHOKE WRENCH



CHOKE PATTERN CHART

CHOKES	ABBREVIATION	MARK	Shot pattern percentage in a 30 inch (76cm) dia. circle		
			20 yard (18m)	30 yard (27m)	40 yard (36m)
Cylinder	CYL		80%	60%	40%
Improved Cylinder	IC		100%	77%	55%
Modified	MOD		100%	83%	60%
Improved Modified	IM		100%	91%	65%
Full	F		100%	100%	70%



The use of steel shot and lead slugs is highly discouraged in barrels equipped with IM and F choke tubes.

Place the safety deeply into the SAFE position and precisely point the barrel in a secure direction. Fully open the shotgun, and conduct both a visual and physical inspection of the chamber to definitively ensure the shotgun is unloaded. Never use bent or deformed choke tubes; they may cause catastrophic tube or barrel damage during firing, which can subsequently result in serious personal injuries. Periodically inspect your choke tubes to ascertain that they are properly installed and remain in excellent condition. Pay special attention to meticulously ensure that the threaded end of the choke tube has not become deformed or crushed in any way. Never, under any circumstances, fire this shotgun without a properly installed choke tube. Doing so will irreparably damage the delicate internal threads inside the barrel. Firing this shotgun with loose choke tubes can inflict damage upon both the choke tube and the barrel, and it may also lead to serious personal injury.

MAINTENANCE & CLEANING

The precision threads on your choke tube must be kept impeccably clean and lightly lubricated at all times. Ensure the choke tube is properly installed whenever cleaning the barrel. This important step will strictly prevent debris accumulation within the threads.

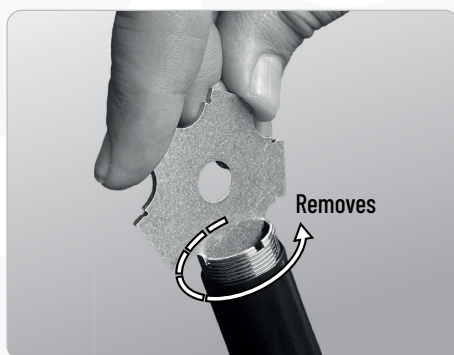
The choke tubes shipped alongside the shotgun are meticulously designed for use with Lead and Steel shot. Every single tube is clearly marked with the pattern type it will produce.

TO REMOVE THE CHOKE TUBE

- Thoroughly loosen it by turning it counter-clockwise using the supplied choke wrench (*Figure 7*). Once the choke tube is suitably loose, remove it entirely with your fingers. Place the choke tube on a clean, thoroughly dry surface.

TO INSTALL THE CHOKE TUBE

- Manually screw the tube clockwise deep into the barrel by hand. Next, utilize the choke tube wrench to tighten the tube until it is firmly seated (*Figure 8*). These tubes perfectly fit entirely flush within the barrel when installed correctly. Refrain from using excessive force during installation. Tube tightness must be verified periodically.



▼ *Figure 7.*



▼ *Figure 8.*

CLEANING AND LUBRICATION INSTRUCTIONS

Proper care ensures years of reliable service. Inspect and clean your shotgun periodically, ideally immediately after use or moisture exposure. Follow the instructions of a high-quality gun cleaning kit.

Cleaning Instructions

- Clean all metal parts with firearm solvent and apply a light coat of firearm-specific oil. Avoid over-lubrication and harsh abrasives.
- Scrub barrel bores and chambers with solvent, then wipe with clean patches until spotless.
- Apply one final lightly oiled patch for protection. Ensure all deeply embedded fouling is completely removed.

Lead Residues and Heavy Fouling

Heavy lead residues and thick fouling can be incredibly hazardous to your health. We strongly recommend utilizing specialized Field Wipes specifically manufactured by your trusted dealer.

Vital Safety Warning

Never leave cleaning patches, excess oil, or grease inside the barrel bore. Such obstructions can cause structural damage to the shotgun and severe physical injury to the shooter or bystanders.

Storage Guidelines

- Regular Use: Keep internal mechanisms free from shooting debris. Apply minimal lubrication to metal surfaces simply to prevent rust.
- Long-Term Storage: Clean thoroughly and lubricate generously. Do not tightly plug the barrel or store the firearm in an absorbent fabric-lined case that drains protective oils.

Disassembly and Maintenance

The barrel and forend groups can be routinely detached from the receiver/stock group. Any further complex disassembly procedures must only be executed directly by the official manufacturer or a fully certified, authorized professional gunsmith. IMMEDIATELY AFTER FIRING your shotgun, proactively clean it as rapidly as feasibly possible to greatly simplify the chore and effectively prevent any destructive corrosion development. When your shotgun remains unfired, you should rigorously clean it minimally once or twice per year if residing in a temperate climate, or consistently once per week if situated in a highly humid, intensely tropical climate. Should you ever inadvertently get your shotgun wet, completely clean it as expeditiously as possible to fundamentally block the initial onset of damaging corrosion or creeping rust.

Essential Cleaning Kit Recommendation

Use a high-quality shotgun cleaning kit containing a sturdy cleaning rod, a slotted patch holder, 100% cotton flannel bore patches, absorbent pipe cleaners, a small toothbrush, brass wire bore and chamber brushes, and a Cleaner/Lubricant/Preservative (CLP).

Post-Disassembly Deep Cleaning

Immediately after disassembling the shotgun, clean, inspect, and lubricate all parts according to the techniques outlined on the preceding pages.

OFFICIAL SERVICE INSTRUCTIONS

Authorized Service and Full Warranty

If your shotgun requires repairs, maintenance, or parts, do not ship it directly to the factory. Instead, follow this procedure:

- Contact your Authorized Dealer or national Distributor and describe the issue in detail.
- Ship the shotgun to the service center as directed by your dealer.



When shipping the shotgun for service, ensure it is completely UNLOADED. Remove accessories such as scopes or slings, and ship it in the original box or secure packaging.

TECHNICAL SPECIFICATIONS

SPECIFICATION	DESCRIPTION
Model	KOFS MN (Single Shot / Single Barrel)
Operating System	Break Action - Single Barrel
Caliber Options	12, 20, 28, .410 (36) Gauge
Chamber Size	76mm (3") Magnum (Fires both 70mm and 76mm shells)
Barrel Material	42CrMo4 Special Steel (Hard Chrome Plated Inside and Out)
Receiver Material	7000 Series High-Strength Aluminum Alloy
Stock & Forend	Turkish Walnut (Oil Finish) or Synthetic (Depending on model)
Barrel Lengths	61 cm, 66 cm, 71 cm, 76 cm (Varies by selected option)
Choke System	Mobile Choke (5 Interchangeable Tubes: C, IC, M, IM, F)
Safety System	Manual Safety (Trigger Block)
Shell Extraction	Extractor (Standard configuration)
Average Weight	2.0 kg - 2.3 kg (Varies significantly by gauge and barrel length)
Total Length	110 cm (Average length with a standard 71 cm barrel)

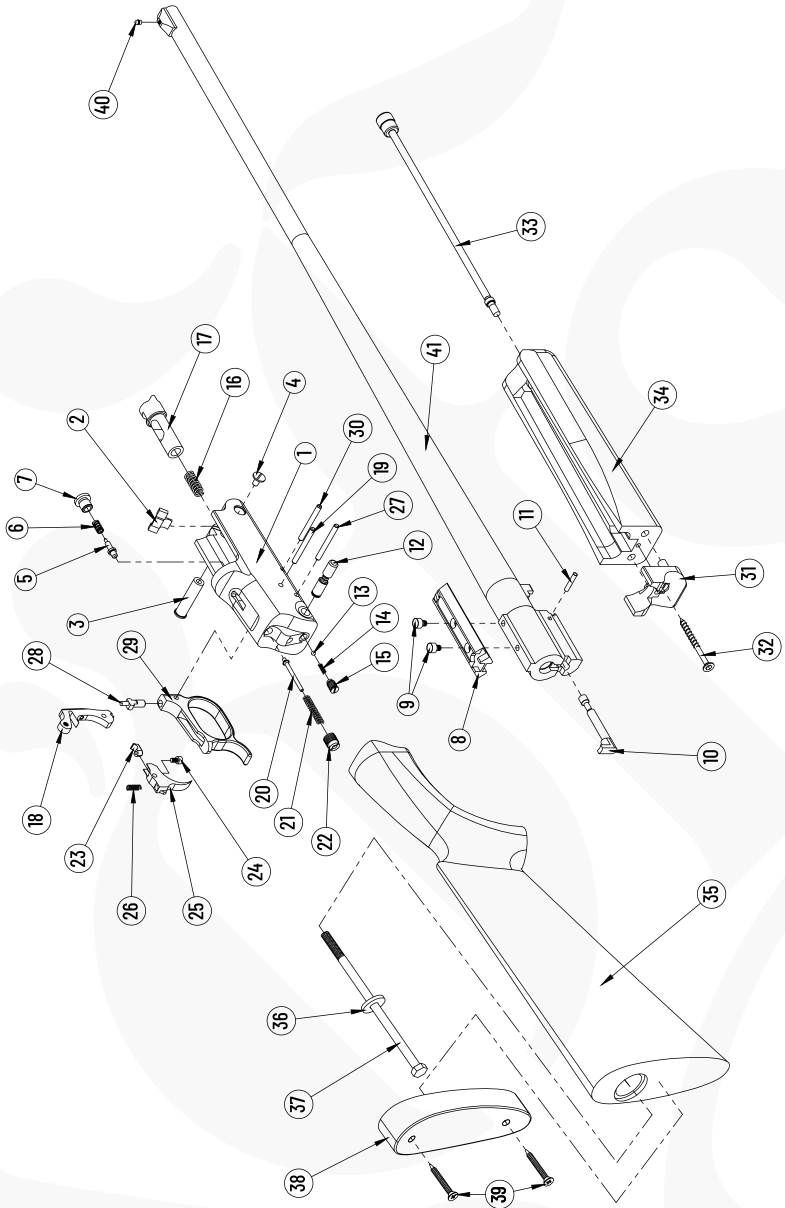
PARTS LIST



This list will help you identify the components of your new shotgun. While exact part numbers may vary slightly from the schematic diagram, the listed part names are standard across all models.

PART NO	PART NAME	PART NO	PART NAME
1	Receiver	22	Hammer screw
2	Extractor pusher	23	Trigger sear
3	Receiver pin	24	Trigger sear screw
4	Receiver pin cap	25	Trigger
5	Firing pin	26	Trigger spring
6	Firing pin spring	27	Trigger assembly pin
7	Firing pin channel collar	28	Lever pin
8	Rear sight	29	Lever
9	Rear sight assembly screw	30	Lever assembly pin
10	Extractor	31	Forend insert
11	Extractor assembly pin	32	Forend insert assembly screw
12	Safety	33	Forend latch
13	Safety spring pin	34	Forend
14	Safety spring	35	Stock
15	Safety screw	36	Washer
16	Bolt spring	37	Stock retaining bolt
17	Bolt	38	Butt plate
18	Hammer	39	Butt plate assembly screw
19	Hammer assembly pin	40	Front sight bead
20	Hammer spring pin	41	Barrel group
21	Hammer spring		

EXPLODED VIEW OF PARTS



SAFETY

Firearm Safety Depends Entirely on You!

From the moment an individual picks up a firearm, they instantly become an integral part of a system over which they possess absolute control. They are the single defining component capable of rendering a gun either fundamentally safe or unsafe. Both hunting and target shooting rank among the safest of outdoor sporting activities. This booklet aims to make them even safer by re-emphasizing the fundamentals of safe gun handling and secure storage, reminding every shooter that the master key to firearm safety is themselves.

You can assist in fulfilling this lifelong responsibility by enrolling in hunter or marksmanship safety courses. Whenever operating loaded firearms, you must constantly emphasize strict safety protocols, particularly concerning children and inexperienced non-shooters. Beginners must always be closely supervised when handling unfamiliar firearms.

Never be timid when the serious subject of gun safety arises. If you observe anyone violating basic safety precautions, you possess a moral obligation to suggest the safer handling practices outlined in this booklet. Please read these critical rules and strictly follow the mandated procedures. Make no mistake about this undeniable fact: true firearm safety depends exclusively upon you.

THE TEN COMMANDMENTS OF FIREARM SAFETY

1. ALWAYS KEEP THE BARREL POINTED IN A SECURE, SAFE DIRECTION.
2. FIREARMS MUST BE COMPLETELY UNLOADED WHEN NOT IN ACTUAL, ACTIVE USE.
3. NEVER RELY SOLELY ON YOUR GUN'S MECHANICAL "SAFETY" DEVICE.
4. BE ABSOLUTELY CERTAIN OF YOUR INTENDED TARGET AND WHAT LIES DIRECTLY BEYOND IT.
5. ALWAYS UTILIZE THE CORRECT, PROPERLY SIZED AMMUNITION FOR YOUR FIREARM.
6. IF YOUR GUN STRICTLY FAILS TO FIRE WHEN THE TRIGGER IS PULLED, HANDLE WITH EXTREME CARE.
7. ALWAYS WEAR PROPER EYE AND HIGH-QUALITY EAR PROTECTION WHENEVER SHOOTING.
8. ALWAYS ENSURE THE BARREL IS COMPLETELY CLEAR OF ANY DANGEROUS OBSTRUCTIONS BEFOREHAND.
9. NEVER ALTER OR IRREPARABLY MODIFY YOUR GUN, AND STRICTLY ENSURE YOUR FIREARMS ARE SERVICED REGULARLY.
10. THOROUGHLY LEARN THE SPECIFIC MECHANICAL AND HANDLING CHARACTERISTICS OF THE FIREARM YOU ARE USING.

KOFS MN INSTRUCTION MANUAL

VERSION 0.1 / April 2026

Safe gun ownership is your responsibility!

Please carefully read and understand this manual before loading your firearm. Keep firearms and ammunition away from children. Securely lock unloaded firearms and ammunition in separate locations.

This manual must always be kept with your firearm and transferred with the gun in the event of a change in ownership. This is your responsibility and may protect you from potential future legal liabilities.

Children may be attracted to firearms and could fire these weapons, which can cause severe injury or death. Prevent children's access by always keeping firearms locked and unloaded when not in use. If you keep a loaded firearm in a place where a child can reach and improperly use it, you could be fined or sent to prison.



Kofs Firearms Company

Isparta Organize Sanayi Bölgesi 109 Cd. No:5 Isparta / Türkiye
info@kofs.com.tr

For more detailed information;
www.kofs.com.tr